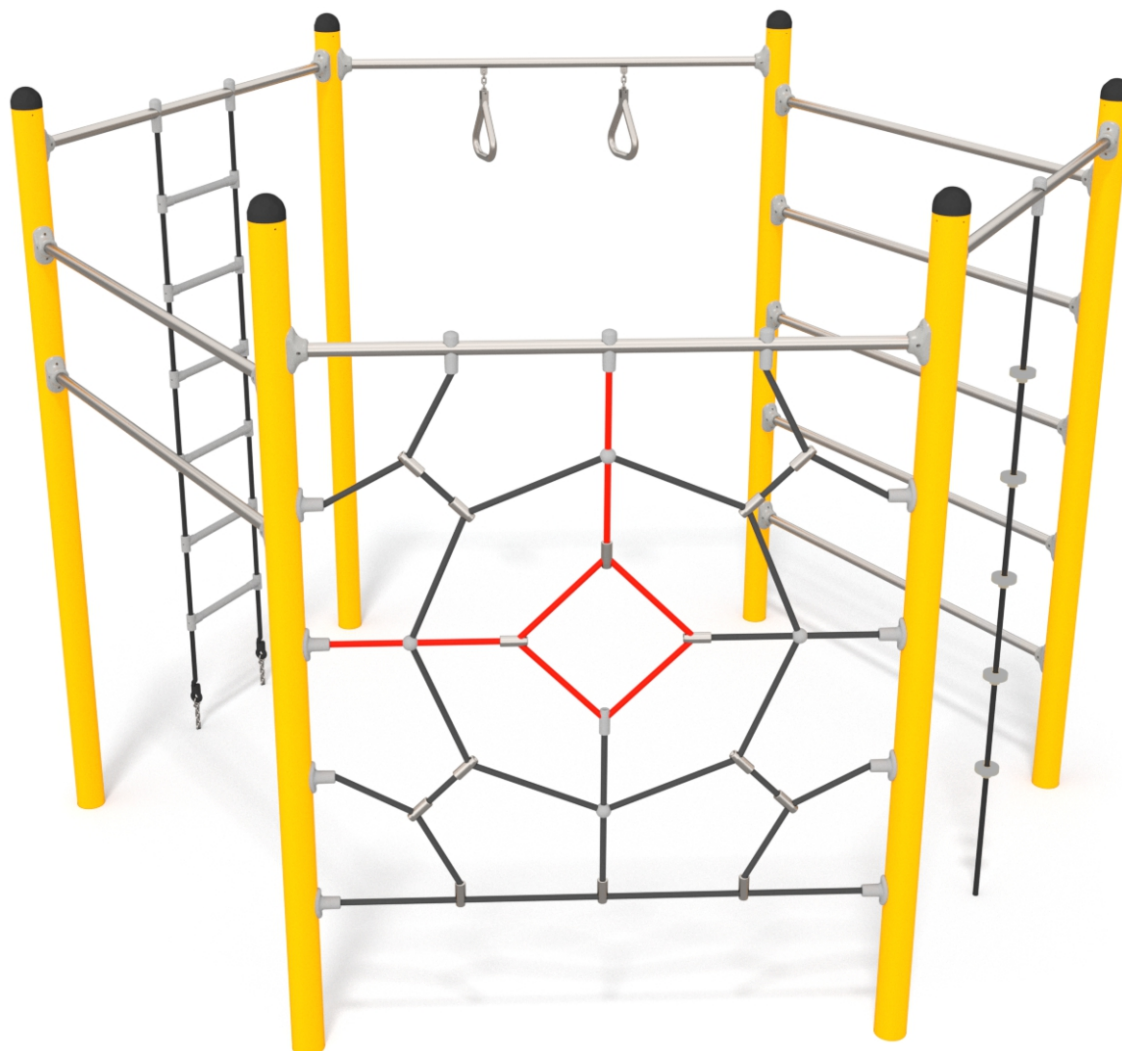


# 1144



SOCJALIZACJA



WSPINANIE



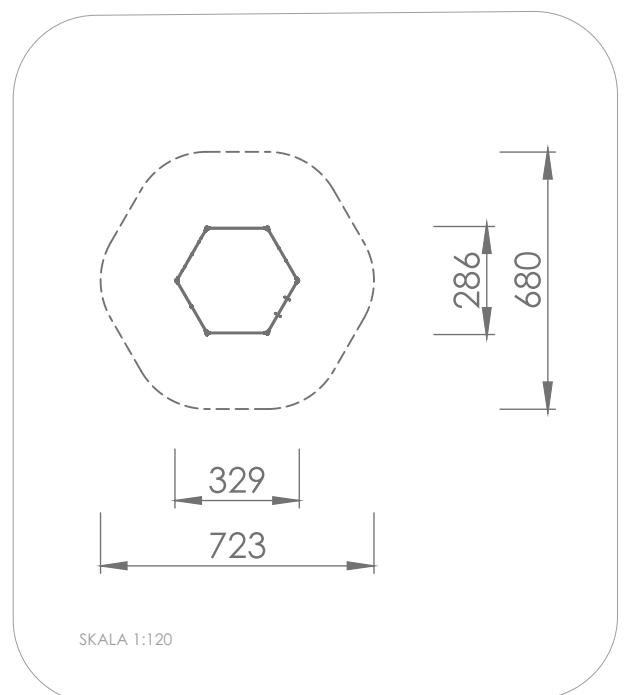
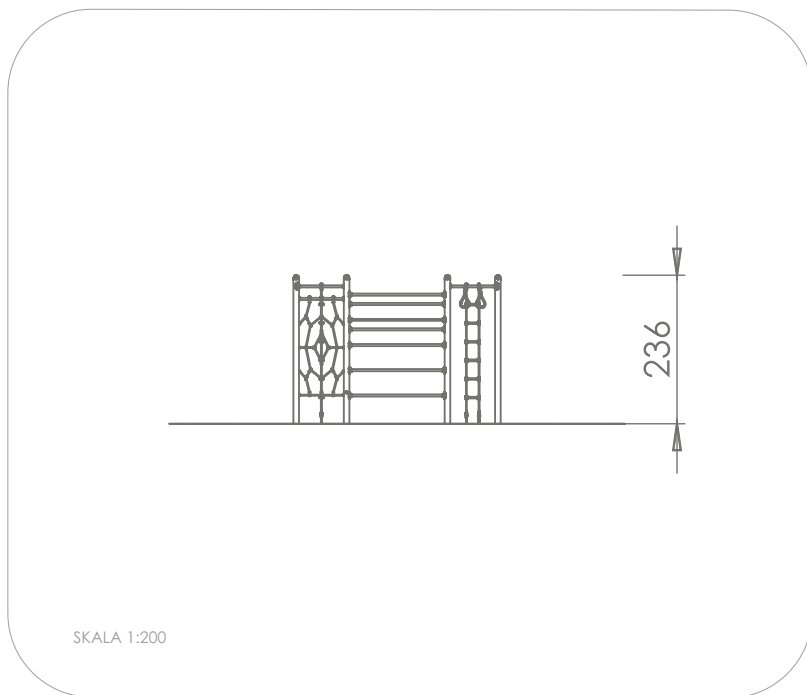
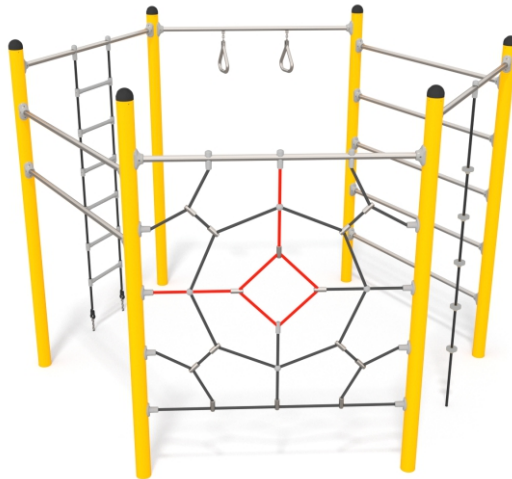
INTEGRACJA  
SENSORYCZNA

### INFORMATION ABOUT THE PRODUCT


Dimensions	286 x 329 cm
Safety zone	680 x 723 cm
Safety zone area	39 m <sup>2</sup>
Overall height	236 cm
Free fall height	220 cm
Amount of users	10
Product complies with EN 1176-1:2017-12	YES
Availability of spare parts	YES
Age range	3-12
According to EN 1176-1:2017-12 norm, the product requires applying a safety surface according to the product's free fall height.	



# 1144



### MATERIALS:

<p>ROPE ENDINGS PRESSED IN A SLEEVE MADE OF DURABLE ALUMINUM ALLOY</p>	<p>SYSTEM OF CONNECTORS AND CLAMPS MADE OF STRONG ALUMINUM ALLOY</p>	<p>POST ENDINGS FINISHED WITH SOFT EPDM RUBBER</p>	
			
<p>SYSTEM OF CONNECTORS AND CLAMPS MADE OF STRONG ALUMINUM ALLOY</p>	<p>POLYPROPYLENE ROPES PPMULTISPLIT TYPE WITH A STEEL CORE AND A DIAMETER OF 16 MM</p>	<p>ROPE LADDER STEPS AND ROPE KNOTS MADE OF INJECTION MOLDED POLYAMIDE</p>	<p>SOLID CONSTRUCTION MADE BLACK STEEL S235JR CLEANED IN THE SANDBLASTING PROCESS</p>
			

